

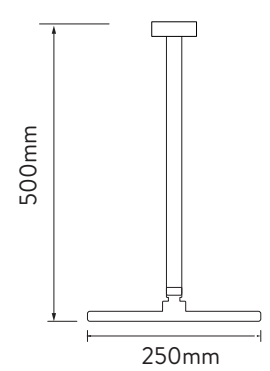
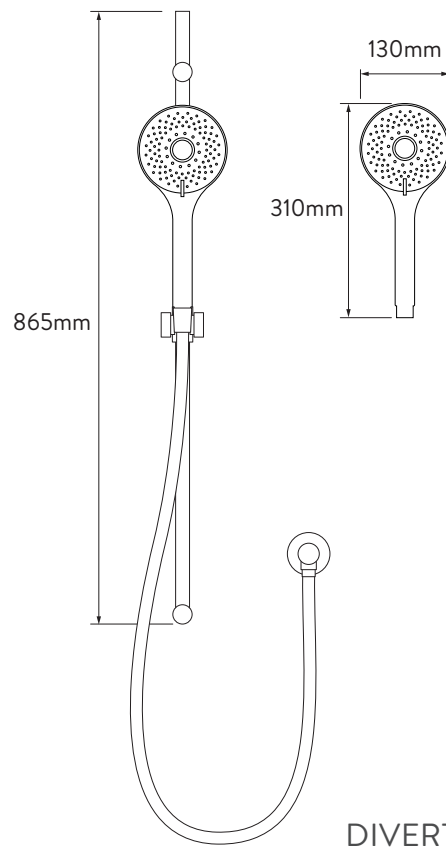
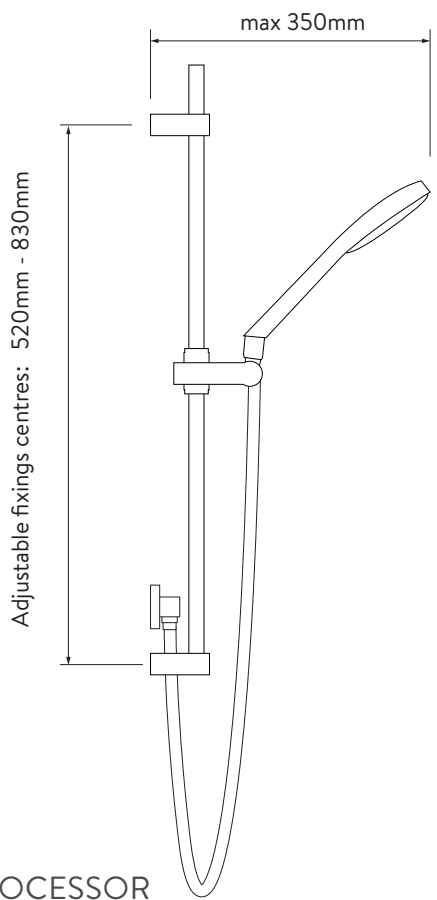
# AQUALISA



# Q™ SMART MIXER SHOWER

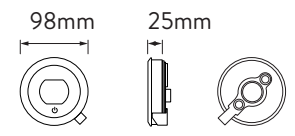
WITH ADJUSTABLE AND FIXED CEILING HEADS  
- GRAVITY PUMPED

## DIMENSIONAL DRAWINGS

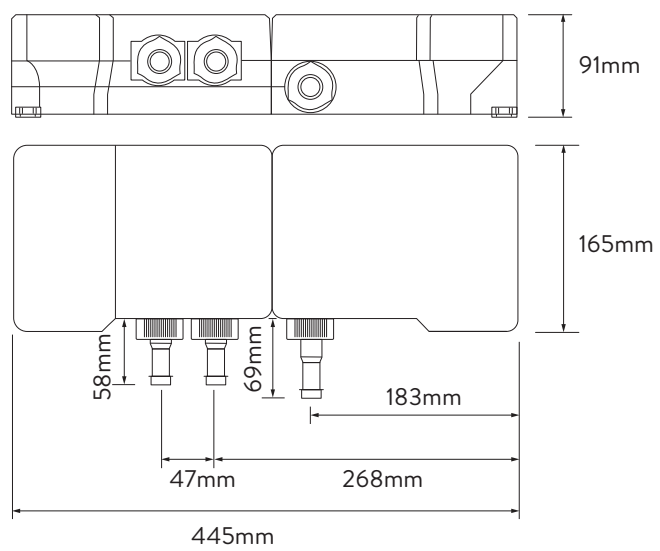


Ceiling arm can be cut shorter to suit ceiling height

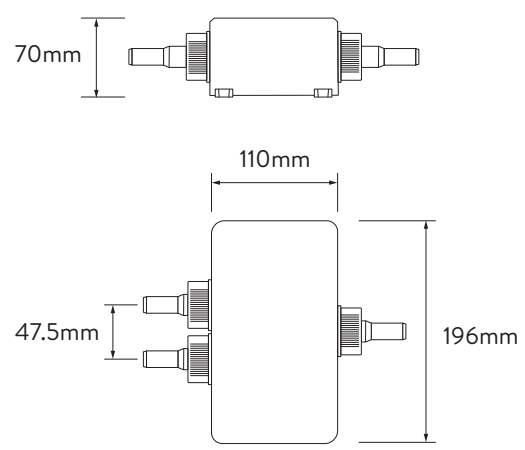
## CONTROLLER



## PROCESSOR



## DIVERTER



# AQUALISA

QTC.02.FC.GP

# Q™ SMART MIXER SHOWER

## WITH ADJUSTABLE AND FIXED CEILING HEADS - GRAVITY PUMPED

### TECHNICAL SPECIFICATIONS

|  |   |
|--|---|
| MINIMUM PRESSURE REQUIREMENTS                              | Processor must be sited no higher than the base level of the cistern  |
| MAXIMUM PRESSURE REQUIREMENTS                              | 1 bar   |
| QUARTZ SMART VALVE INLET FITTING CONNECTIONS               | 15mm push fit fittings, valve inlet centres 48mm, inlet supply positions – hot right, cold left             |
| QUARTZ SMART VALVE OUTLET FITTING CONNECTION               | 15mm push fit   |
| PERMISSIBLE QUARTZ SMART VALVE SITTING LOCATION            | Loft, airing cupboard, under bath (ambient temp. 5 - 40°C)  |
| INLET SUPPLY TEMPERATURE SETTINGS                          | Minimum cold inlet temperature 1°C, maximum cold inlet temperature 15°C, maximum hot inlet temperature 65°C |
| BLENDED OUTLET TEMPERATURE SETTINGS                        | Factory set max blended temperature 45°C, minimum 35°C, maximum 55°C  |
| ELECTRICAL REQUIREMENTS - QUARTZ SMART VALVE TO MAINS      | Switched fused spur 3amp, processor main cable length 2m, required voltage 230 – 240V                       |
| ELECTRICAL REQUIREMENTS - CONTROLLER TO QUARTZ SMART VALVE | Low voltage data cable length 10m   |
| ELECTRICAL REQUIREMENTS - DIVERTER TO QUARTZ SMART VALVE   | Low voltage data cable length 2m  |
| DATA CABLE REQUIREMENTS                                    | Data cable voltage 5V   |
| WATER SYSTEM   | Gravity Pumped  |
| FEATURES   | Proximity sensor  |
|  | Large rotary temperature ring   |
|  | Customisable outer bezel  |
|  | Glass display screen  |
|  | Full colour display and menu system   |
|  | Optical sensing technology  |
|  | Unique Q lever control  |
|  | User definable shower profiles / experiences  |
|  | Warm and ready indicator  |
|  | Optical on off switch   |
|  | Magnetically damped Q lever   |
|  | 130mm 3 mode shower head and 250mm fixed head   |
|  | Quartz Smart Valve  |
| Optional wireless remote control                           |   |
| GUARANTEE PERIOD   | Shower unit - 5 years   |
|  | Shower head and kit - 2 years   |
| APPROVALS  | CE Marking (LVD EMC, RED)   |
|  | WRAS Approved accessories (handset & hose)  |