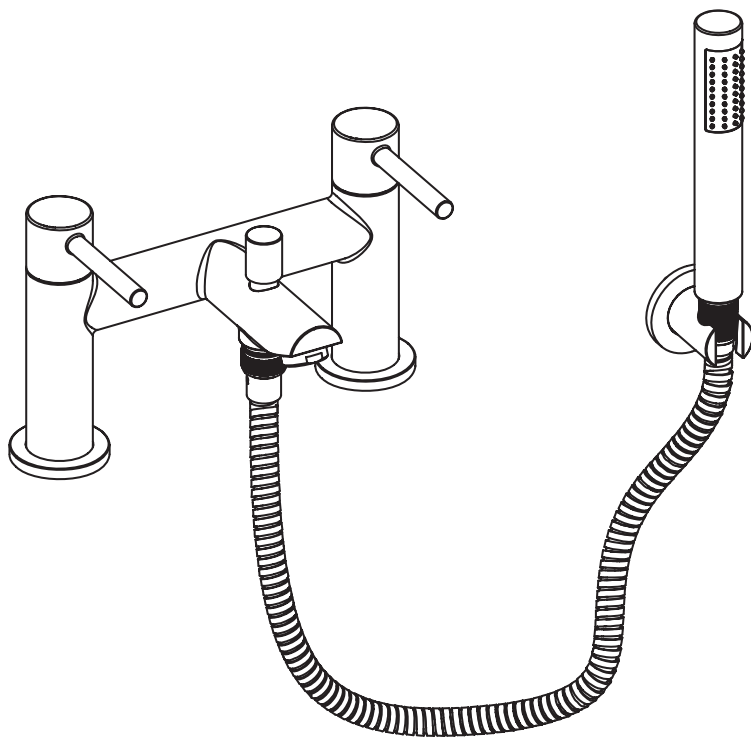


AQUALISA

BATH SHOWER MIXER TAP

CB.BSMT.20

INSTALLATION AND USER GUIDE



CONTENTS

Safety Information	2
Warranty	2
Flushing	2
Isolating Valves	3
Pressures	3
Installation	3
Cleaning	3
Deck mounted Bath Shower Mixer Tap	4

SAFETY INFORMATION

This product must be installed by a competent person in accordance with all relevant current Water Supply and Building Regulations.

This product is suitable for domestic use only.

WARRANTY

Aqualisa products are supplied complete with a 1 year guarantee that can be upgraded by registering this product with Aqualisa.

For details see: www.aqualisa.co.uk/warranty

FLUSHING

Some modern fluxes can be very corrosive and, if left in contact, will attack the working parts of this unit. All soldering must be completed and the pipe work thoroughly flushed out in accordance with current Water Supply Regulations prior to connection of the product.

ISOLATING VALVES

Suitable full bore isolation valves such as gate valves must be fitted to both supplies in accordance with the Water Supply Regulations and our terms of warranty.

PRESSURES

Suitable for gravity stored, gravity pumped, balanced high pressure and combination boiler systems. This product is designed to control static pressure up to 5 bar. Where pressures are likely to exceed 5 bar a pressure reducing valve must be fitted into the incoming mains supply. A setting of 3 bar is recommended. It should be noted that daytime pressures approaching 3 bar can rise above the stated maximum overnight. For optimum performance, the following minimum pressures are recommended.

Minimum inlet pressure: 0.2 bar

For optimum performance hot and cold pressures should be equal. A suitable PRV is available from Aqualisa, if required.

N.B. Not suitable for mixed water supplies, i.e. gravity hot/cold mains.

INSTALLATION

The product must not be used with a hot water supply temperature of over 65°C. The hot supply should be on the left when viewed from the front of the product.

CLEANING

Whilst modern plating techniques are used in the manufacture of these fittings, the plating will wear if not cleaned properly. The safest way to clean your product is to wipe with a soft damp cloth. Stains can be removed using washing up liquid.

Substances that are not suitable for plastics and electroplated surfaces must not be used. **DO NOT USE ABRASIVE CLEANERS.**

DECK MOUNTED BATH SHOWER MIXER TAP INSTALLATION



In addition to the guide below it is essential that the important information section is read and understood and that you have all the necessary components before commencing installation. Failure to install the product in accordance with these instructions may adversely affect the warranty terms and conditions. Do not undertake any part of this installation unless you are competent to do so. Prior to starting, ensure that you are familiar with the necessary plumbing regulations required to install the product correctly and safely.

1

Remove fixing washers (4) and fixing nuts (5) from the mixer, leaving the base rings (2) and deck washers (3) fitted to the mixer tap tails.

2

Locate the tails of the mixer tap into the holes of the bath.

3

Underneath the bath, put the fixing washers (4) onto the mixer tails and secure them using the fixing nuts (5).

4

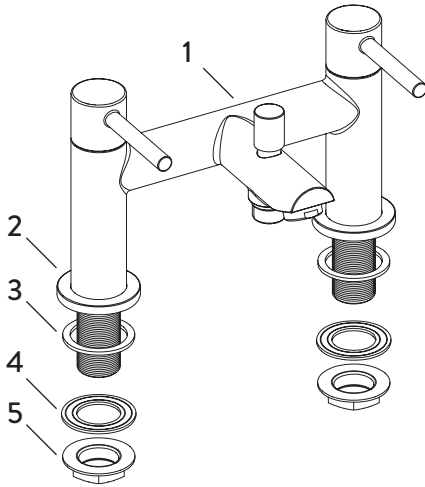
Using suitable connections, connect the mixer tails to the hot and cold supplies.

5

Turn on the supplies to the bath/shower mixer and turn the hot and cold taps on to flush the system through. Turn off the bath/shower mixer and attach the hose, ensuring the hose washer is in place.

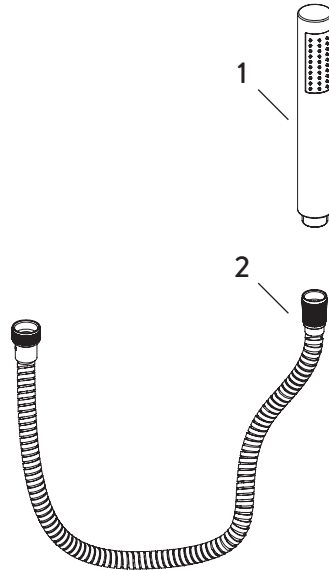
COMPONENTS

BATH SHOWER MIXER TAP



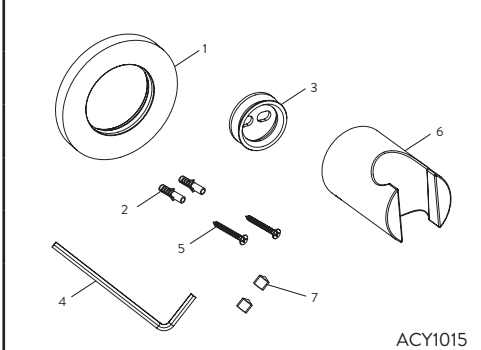
NO	DESCRIPTION	QTY
1	Bath Mixer Tap	1
2	Base Ring	2
3	Deck Washer	2
4	Fixing Washer	2
5	Fixing Nut	2

HAND SHOWER AND HOSE



NO	DESCRIPTION	QTY
1	Hand Shower	1
2	1.25m Hose	1

WALL MOUNTED HANDSET HOLDER INSTALLATION

BRASS WALL MOUNT HOLDER	NO.	DESCRIPTION	QTY
	1	Cover Plate	1
	2	Wall Plugs	2
	3	Backplate	1
	4	Allen Key	1
	5	Wall Screws	2
	6	Handset Holder	1
	7	Grub Screws	2

1

Using the backplate as a template, mark and prepare two holes in the desired location using the fixings provided.

2

Secure the backplate into position using the wall screws.

3

Loosen the grub screws located within the handset holder using the allen key provided. Offer up the handset holder to the backplate ensuring the handset holder sits flush to the finished wall surface.

4

Tighten the grub screws using the allen key provided.

5

Push the cover plate to the wall.

AQUALISA

Aqualisa Products Limited
The Flyers Way
Westerham Kent TN16 1DE

Customer Helpline: 01959 560010 | Brochure Hotline: 0800 652 3669
Website: www.aqualisa.co.uk | Email: enquiries@aqualisa.co.uk
Warranty: www.aqualisa.co.uk/warranty

Republic of Ireland
Sales enquiries: 01-864-3363
Service enquiries: 01-844-3212



Please note that calls may be recorded for training and quality purposes.

The company reserves the right to alter, change or modify the product specifications without prior warning.

™ Trademark of Aqualisa Products Limited.



Part No: 704994 Issue 01 April20