

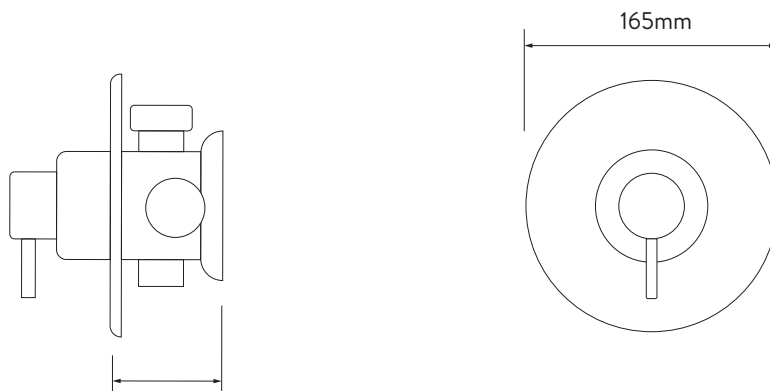
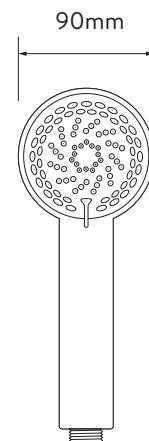
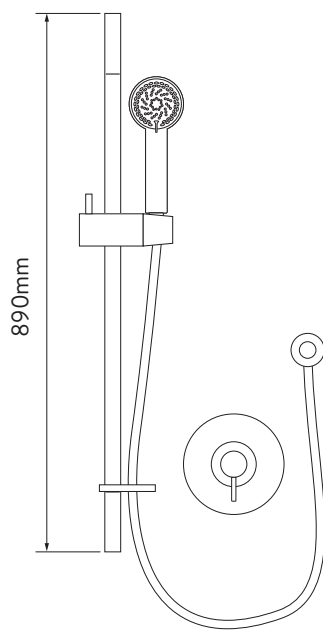
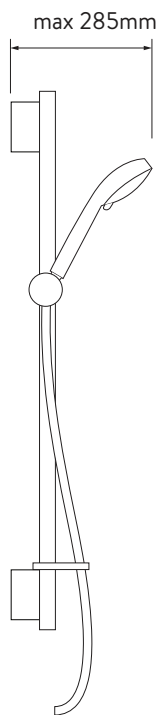
# AQUALISA

SRN001CA

## SIREN™ SL CONCEALED MIXER SHOWER

WITH ADJUSTABLE HEAD

### DIMENSIONAL DRAWINGS



60mm min, 80mm max from back face  
of valve to finished / tiled wall surface  
(10mm allowance for tiles)

# AQUALISA

SRN001CA

# SIREN™ SL CONCEALED MIXER SHOWER

## WITH ADJUSTABLE HEAD

### TECHNICAL SPECIFICATIONS

MINIMUM PRESSURE REQUIREMENTS	0.1 bar
MAXIMUM PRESSURE REQUIREMENTS	10 bar
INLET FITTING CONNECTIONS	15mm compression
INLET SUPPLY POSITIONS	Hot/left, cold/right
OUTLET CONNECTIONS	15mm compression
VALVE INLET CENTRES	149mm
SUPPLY TEMPERATURE	5 - 20°C Cold Supply 55 - 65°C Hot Supply
WATER SYSTEM	Gravity, Boosted Gravity, Combi and Balanced High Pressure
FEATURES	Single lever control
	All metal valves
	Eco-setting can deliver water savings of up to 25%
	4 spray patterns including an eco-setting
COLOUR	Chrome
GUARANTEE PERIOD	5-year guarantee (valve)
	2-year guarantee (head and kit)
APPROVALS	WRAS