

AQUALISA

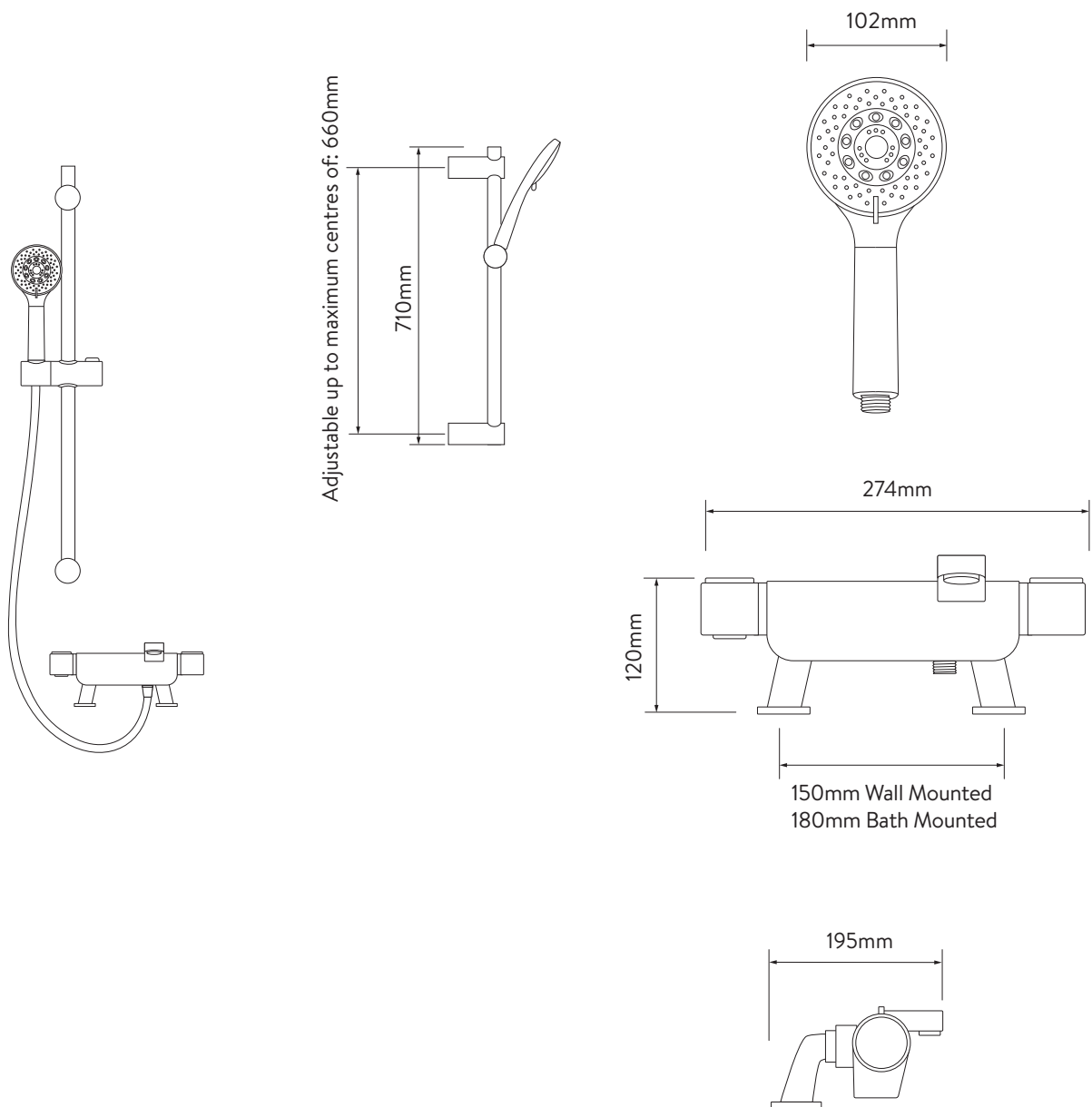
MIDAS™ 220

BATH SHOWER MIXER

MD220
BSM.MB.INT

HP/COMBI - MATT BLACK

DIMENSIONAL DRAWINGS



*For wall mounted retrofit installations the pipe centres can be adjusted between 130mm-170mm using eccentric elbows (not supplied).
Part number: 911139.

Wall mounted easy fit wall brackets are not supplied, these are available by contacting the Aqualisa customer service team.
Part number: 911142.

The company reserves the right to alter, change or modify the product or product specifications without prior warning.
Please refer to the installation guides for technical information.

AQUALISA

MIDAS™ 220

BATH SHOWER MIXER

MD220
BSM.MB.INT

HP/COMBI - MATT BLACK

TECHNICAL SPECIFICATIONS

Minimum pressure requirements	0.1 bar
Maximum pressure requirements	10 bar
Inlet fitting connections	3/4" BSP
Inlet supply positions	Hot/left, cold/right (as viewed from front)
Outlet connection	1/2" BSP
Inlet supply pipe	15mm - when utilising the wall fixing kit (not provided)
Valve inlet centres	150mm wall mounted or 180mm bath mounted
Supply temperature	5 - 20°C Cold Supply
	55 - 65°C Hot Supply
Materials	Metal and plastic
Water System	Boosted Gravity* *May require Universal (negative head) pump. Refer to installation guide
	Combi and balanced High Pressure systems
Features	Thermosafe
	Separate temperature control with override button for extra safety
	Safe touch
	Adjustable height slider
	Flow control with integral diverter to switch between outlets
	102mm, 5 mode handset with soft rub nozzles for easy cleaning
	1.5m steel hose
Colour	Matt Black
Approvals	WRAS Approval pending
Guarantee period	Valve - 5 years
	Shower head and kit - 2 years