

# AQUALISA

## MIDAS™ 220

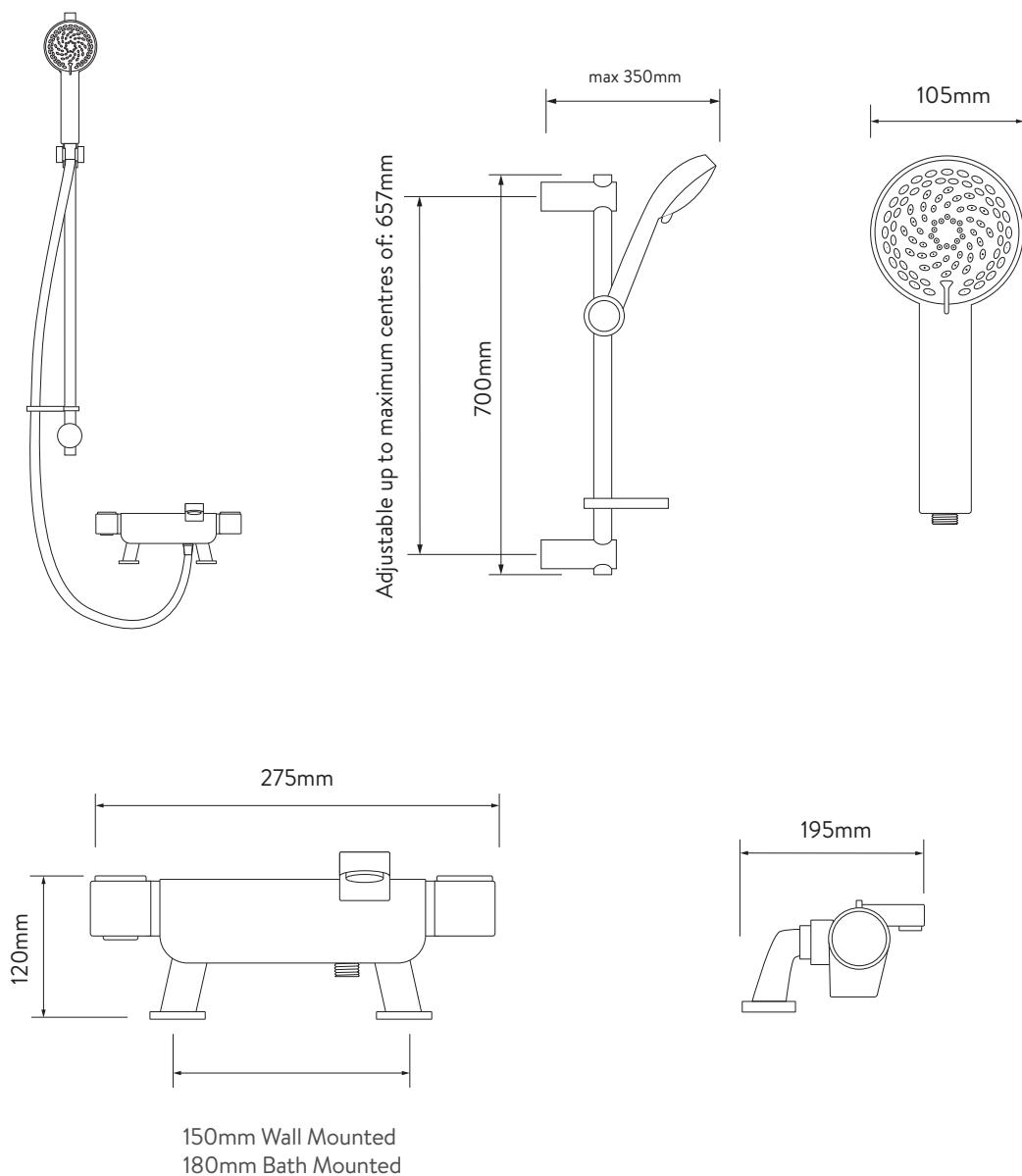
### BATH SHOWER MIXER

MD220BSM  
.INT

WITH ADJUSTABLE HEAD - HP/COMBI

---

#### DIMENSIONAL DRAWINGS



\*If wall mounted, pipe centres can be adjusted between 130mm-170mm using supplied elbows

The company reserves the right to alter, change or modify the product or product specifications without prior warning. Please refer to the installation guides for technical information.

# AQUALISA

## MIDAS™ 220

### BATH SHOWER MIXER

MD220BSM  
.INT

WITH ADJUSTABLE HEAD - HP/COMBI

---

#### TECHNICAL SPECIFICATIONS

Minimum pressure requirements	1 bar
Maximum pressure requirements	10 bar
Inlet fitting connections	3/4" BSP
Inlet supply positions	Hot/left, cold/right (as viewed from front)
Outlet connections	1/2" BSP
Valve inlet centres	150mm wall mounted or 180mm bath mounted. Pipe centres can be adjusted between 130mm - 170mm using eccentric elbows (not supplied with product)
Supply temperature	5 - 20°C Cold Supply
	55 - 65°C Hot Supply
Materials	Brass
	Metal and plastic
Water System	Boosted gravity
	Combi and balanced High Pressure systems
Features	Thermosafe
	Safe touch
	Diverter
	Adjustable height slider
	Flow control
	105mm, 4 spray patterns one of which is eco - 25% less flow
Colour	Chrome
Approvals	WRAS Approval pending
Guarantee period	Valve - 5 years
	Shower head and kit - 2 years