

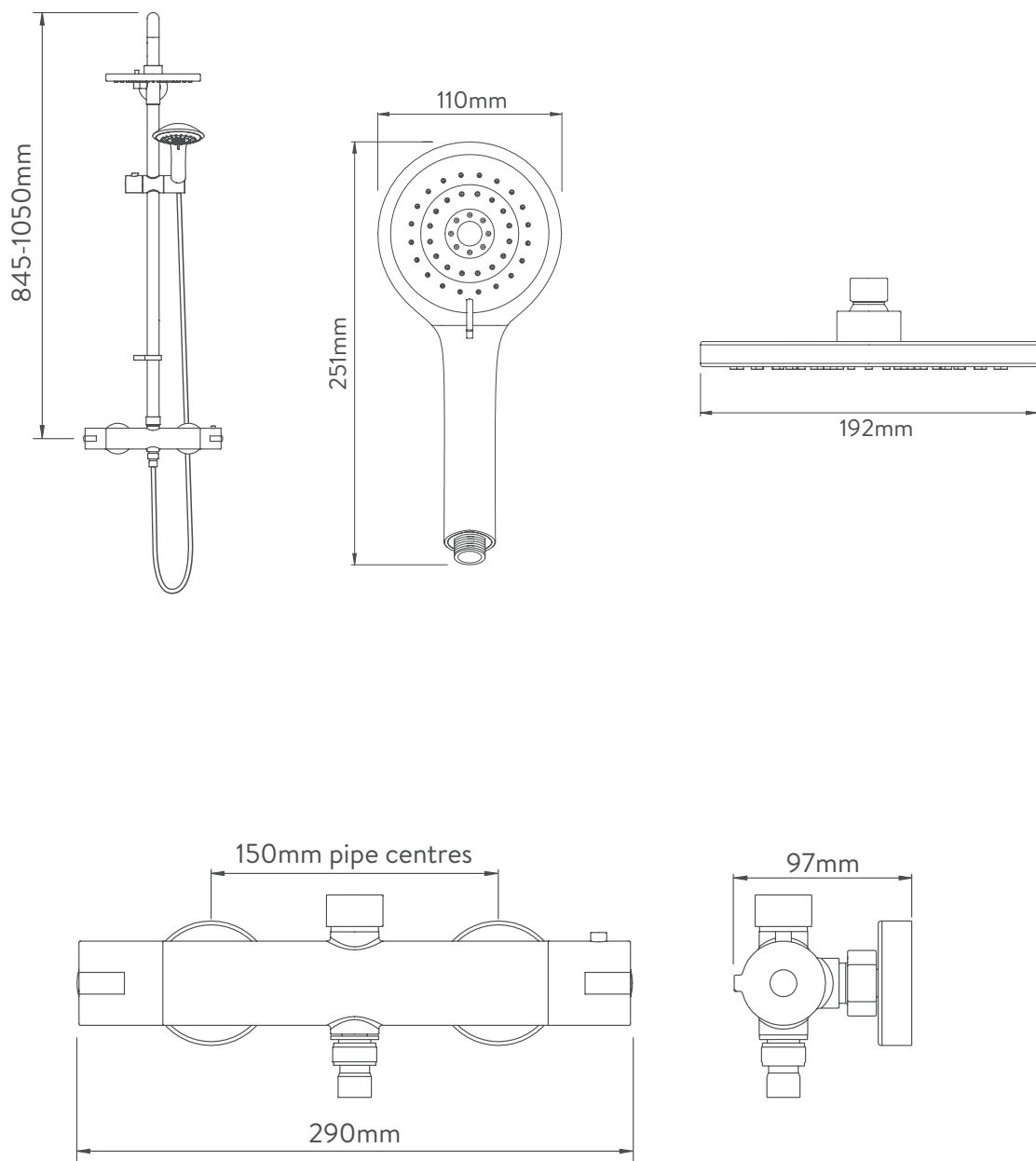
AQUALISA

SAFE TOUCH ROUND SHOWER COLUMN

AQ150BAR2.
MB.INT

HP
MATT BLACK

DIMENSIONAL DRAWINGS



AQUALISA

SAFE TOUCH ROUND SHOWER COLUMN

AQ150BAR2.
MB.INT

HP
MATT BLACK

TECHNICAL SPECIFICATIONS

Minimum pressure requirements	1 bar
Maximum pressure requirements	5 bar
Flow rates @ 3 bar	Adjustable head: 10.5 l/min Fixed head: 9.2 l/min
Inlet fitting connections	3/4" Threaded
Rear inlet supply positions	150mm centres
Outlet connections	1/2" Thread
Valve inlet centres	150mm centres
Supply temperature	Max 65°C
Water system	High Pressure
Features	Separate temperature control with override button for extra safety
	Brass "Safe Touch" body
	Flow control with integral diverter to switch between shower heads
	Includes Easy fit wall brackets
	Soft rub nozzles for easy cleaning
	3 + 1 spray patterns, easy click spray control
	Adjustable telescopic shower column 845mm - 1050mm
	192mm fixed drencher head, 110mm adjustable head
1.5m Matt Black smooth hose	
Colour	Matt Black
Guarantee period	5 years