

AQUALISA

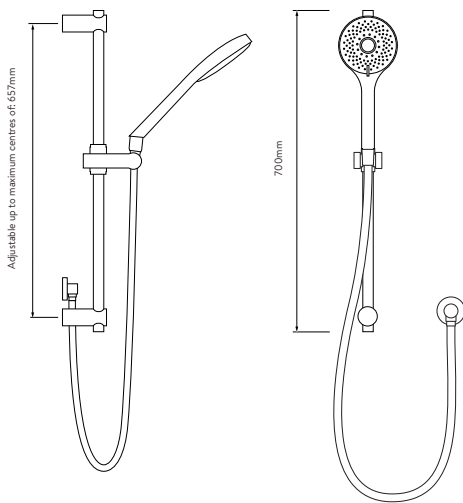
OPTIC Q™

WITH ADJUSTABLE HEAD - HP/COMBI

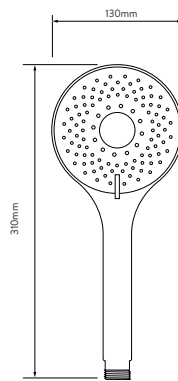
OPQ.A1.BV.23

DIMENSIONAL DRAWINGS

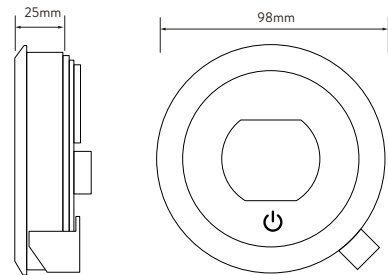
SHOWER RAIL KIT



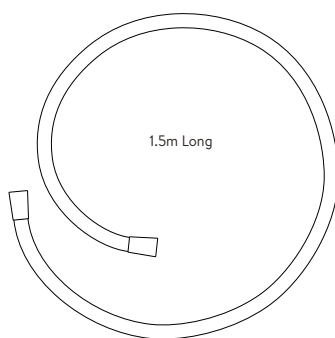
SHOWER HEAD



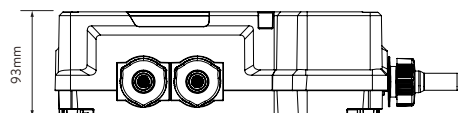
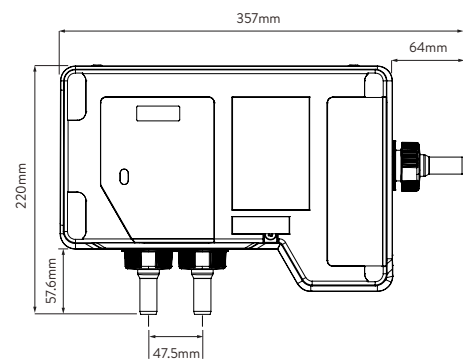
CONTROLLER



SHOWER HOSE



AQUALISA SMARTVALVE™



AQUALISA

OPTIC Q™

WITH ADJUSTABLE HEAD - HP/COMBI

OPQ.A1.BV.23

TECHNICAL SPECIFICATIONS

| | |
|--|---|
| Minimum operating pressure | 1 bar |
| Maximum operating pressure | 5 bar |
| Peak operating pressure | 7 bar |
| Aqualisa SmartValve™ inlet fitting connections | 15mm push fit fittings, valve inlet centres 48mm, inlet supply positions – hot right, cold left |
| Aqualisa SmartValve™ outlet fitting connection | 15mm push fit |
| Aqualisa SmartValve™ siting locations | Loft, airing cupboard, under bath |
| Supply temperature | Cold inlet temperature 1°C (minimum) Cold inlet temperature 15°C (maximum) Hot inlet temperature 65°C (maximum) |
| Water system | HP / Combi / Boosted gravity |
| Features | Proximity sensor (to wake controller up) |
| | Large rotary temperature ring |
| | Digital display system |
| | User definable shower profiles / experiences (available via the Aqualisa app) |
| | Warm and ready indicator |
| | Optical on off switch |
| | Unique Q™ lever control |
| | Magnetically damped Q™ lever |
| | 130mm Vita™ shower head with 3 spray patterns |
| | Wi-Fi & App compatible – control your product with your smart phone and smart home device e.g. Alexa |
| | App functions include start/stop, set your flow and temperature, shower timer, user dashboard, usage tracker and help & support |
| | Aqualisa SmartValve™ |
| | Optional wireless rechargeable remote control |
| Guarantee period | 5-year guarantee - shower unit |
| | 2-year guarantee - shower head and kit |
| Approvals | CE Marking |
| | UKCA |
| | BEAB |